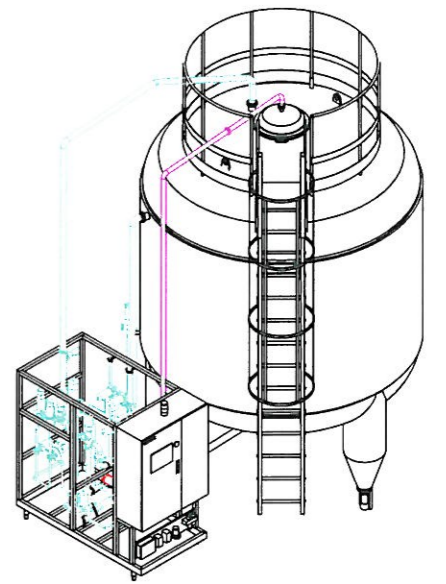
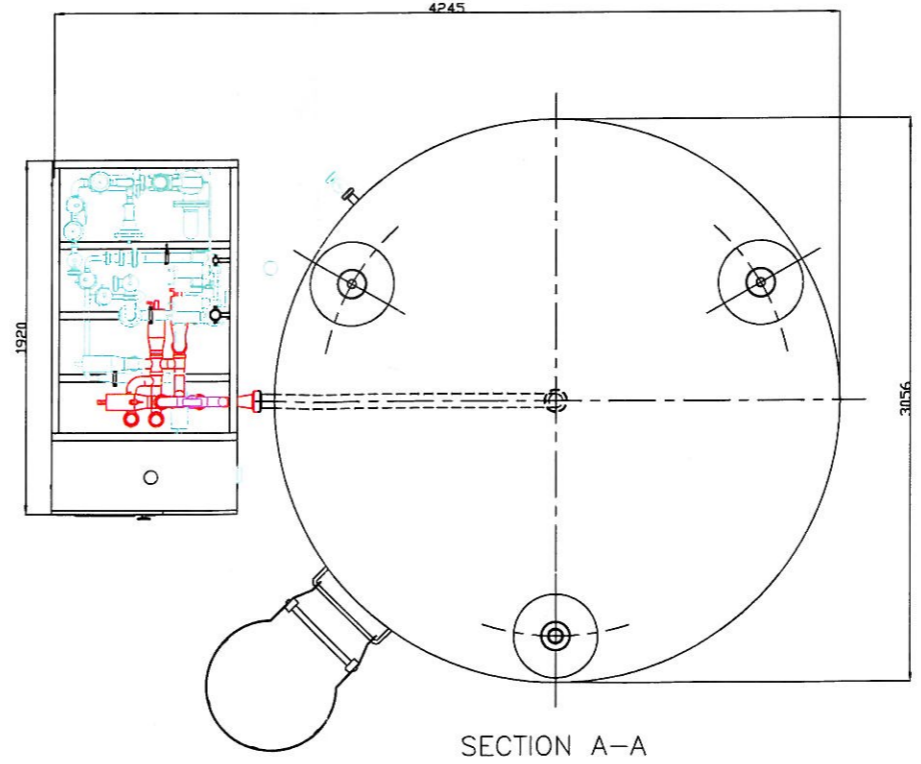
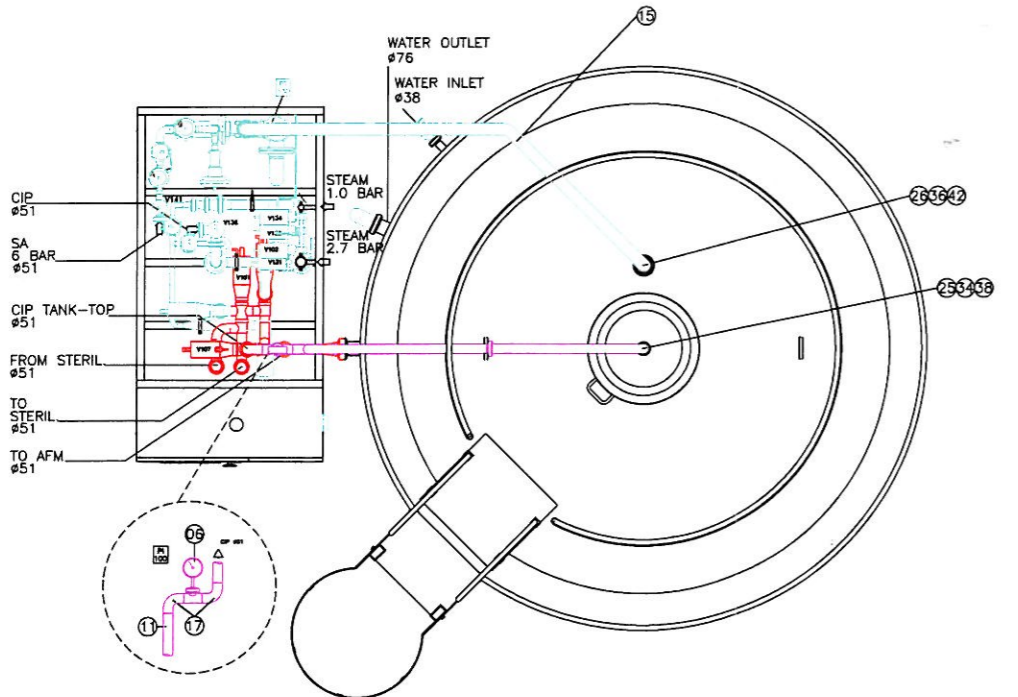
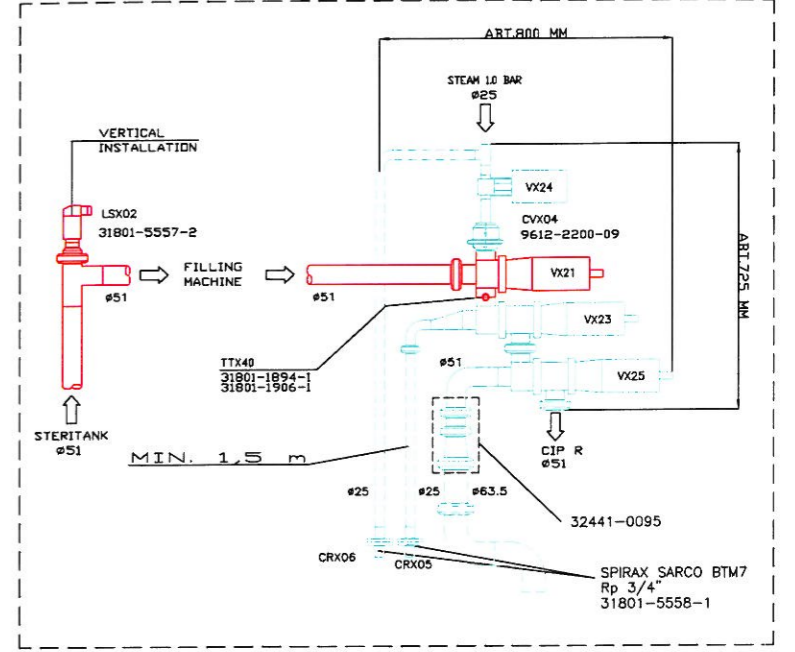
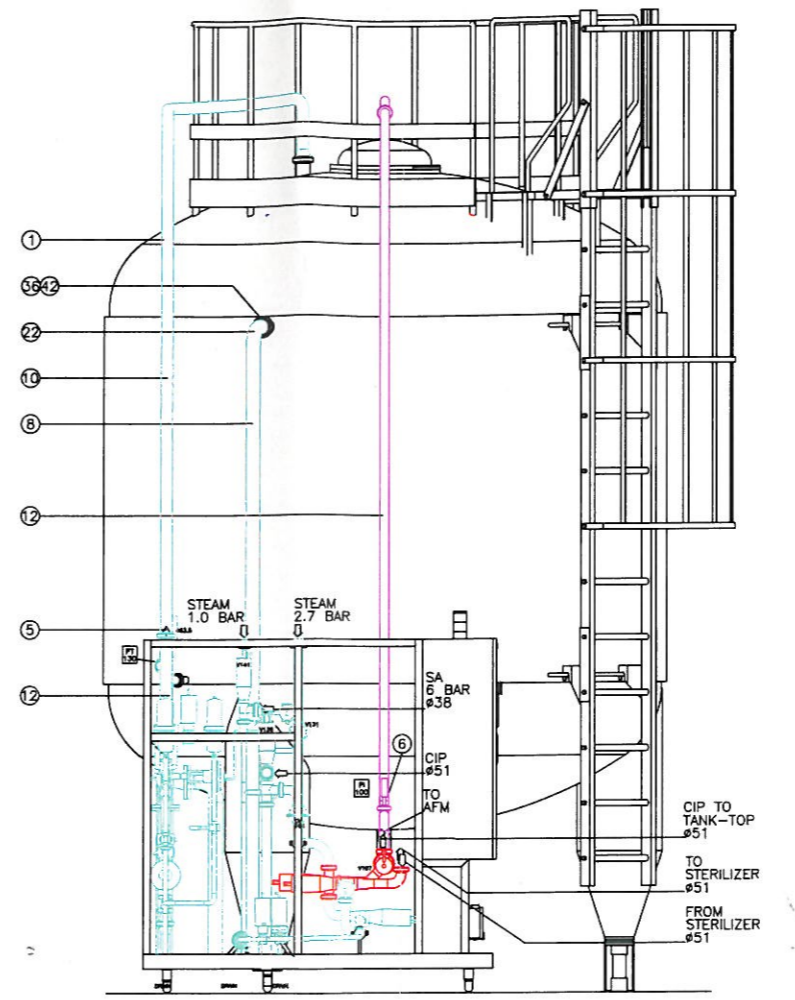
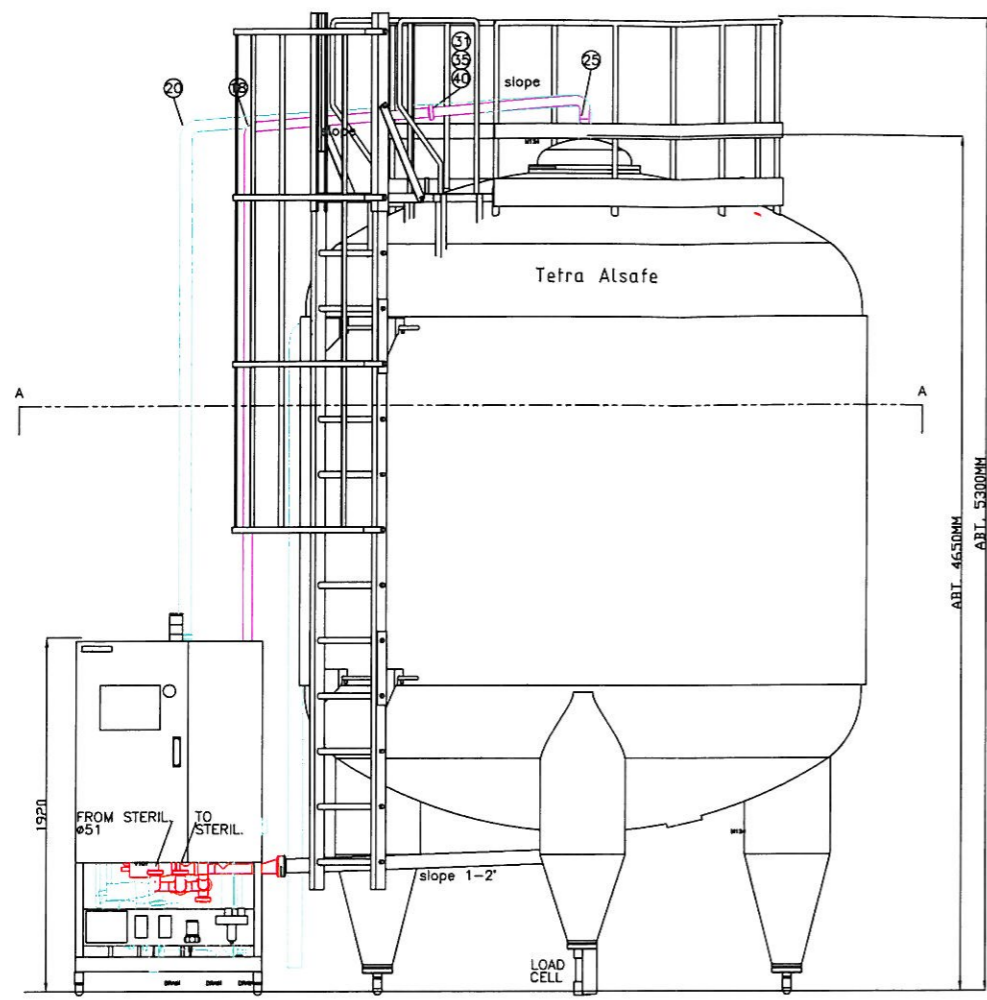


The drawing must not be modified, the version of Tetra Pak  
 equipment must be the one specified in the document.  
 Only the changes expressly approved by us in this document  
 may constitute a contractual adaptation in our part.

Rev	Description	Designer	Appr. By	Date



SCALE 1:40

Qty.	Pos.	Article No.	Denomination	Material	Note
<b>Tetra Alsafe 20.000 L</b> <b>Valve Cluster Module 32440-1930</b> <b>VCL incl. Sterile Filter. Prep for Magnetic Agitator</b>					
Assembly No. Company TPDB	Unless otherwise stated SHARP EDGES BROKEN	SW	Designer BOO	Appr. By BOO	Date 020228
			Form A1	Template 32440-2004.dwg	File Name 32440-2004.dwg
			Scale 1:20	Document No. 32440-2004	Revision

